

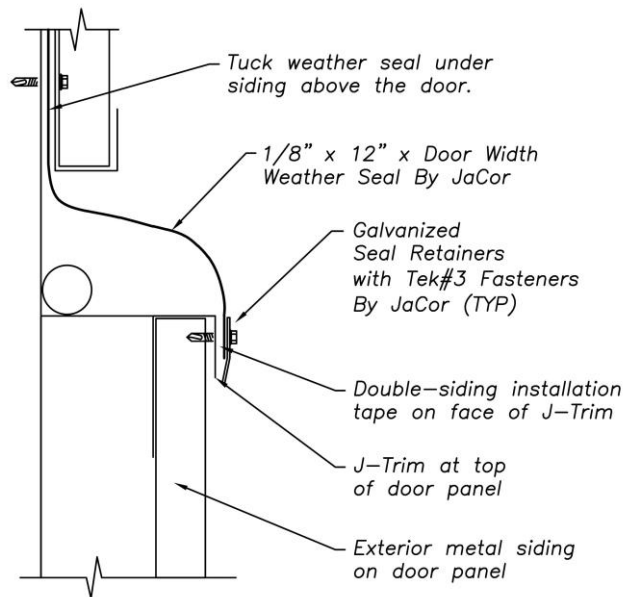


## Hydraulic or Bifold: TOP Weather Seal Installation

Typical Bill of Materials (click on the length to purchase):



- 1) [Weather Seal](#) = 1/8" thick x 12" wide x Door Width
- 2) [Galvanized Retainers](#) = (Door Width / 4.8); Retainer are 4'-10" Lg.
- 3) [Tek#3 Fasteners](#): 100/pack
- 4) [Double Sided Installation Tape](#): 175' Rolls



Section: Top of Door

### Tools Required:

- 1) Screw gun or drill for fasteners
- 2) Hack saw or sawzall for cutting retainers
- 3) Tin snips or box cutter for cutting weather seal



*Step 1:* Demo the existing top seal by removing the wall panel fasteners above the weather seal. Typically, these fasteners sandwich the seal between the building and the wall panel.



*Step 3:* Starting at one end tuck the [1/8" thick weather seal](#) underneath the siding above the door. If possible start the weather seal a few inches beyond the end of the door panel. The weather seal should fall just below the J-Trim on the top of the door panel.



*Step 4:* Continue working across the door tucking the weather seal underneath the siding so the weather seal hangs just below the J-Trim below. Install fasteners back into siding to keep the seal in place as your moving across the door.



*Step 5:* Apply [JaCor's double-sided installation tape](#) across the face of the J-Trim at the top of the door panel. Line up the weather seal with the bottom edge of the J-Tim and stick.



Step 6: Using [Tek#3 Fasteners](#) install the [Galvanized Retainers](#) so the weather seal is sandwiched between the J-Trim and the retainer. The [installation tape](#) will hold the weather seal in place. Work across the door panel butting the retainers together.  
Note: Cut any excess weather seal that hangs below retainer with a box cutter.

*If you have any questions please feel free to give us a call or send us an email.*